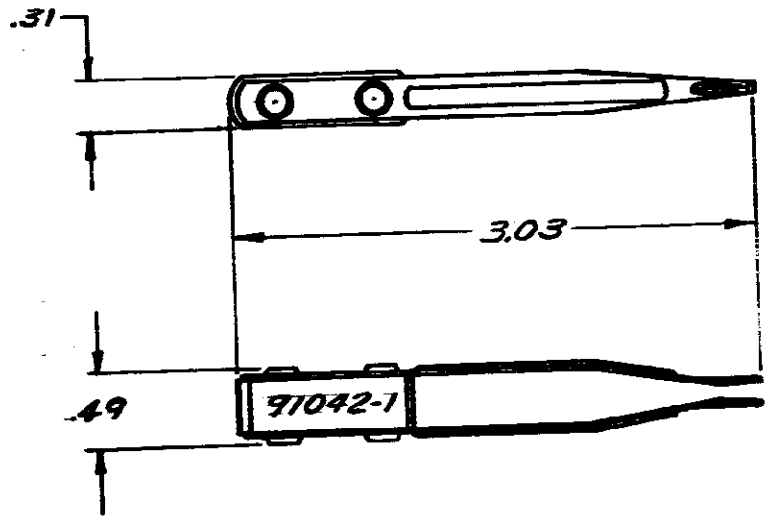


NUMBER
91042



NOTE:
1. FOR CORRECT TOOL USAGE SEE INSTRUCTION SHEET 157369

DIMENSIONS IN INCHES. DO NOT SCALE PRINT.

Unauthorized copy not to be made without written permission.

				AMP INCORPORATED. ALL RIGHTS RESERVED. PRODUCTS COVERED BY PATENTS AND TRADEMARKS PENDING.		CUSTOMER COPY REFERENCE ONLY	
				STEEL & ALUM. BLACK OXIDE		AMP INCORPORATED HARRISBURG, PENNA.	
				WIRE — RANGE — INSULATION — # — — # —		CLASS — # —	
				TOLERANCE EXCEPT AS NOTED ± .0005		TYPE TYPE XI CONTACTS	
				SCALE 1-1		LOC M A NO 91042 REV 0-1	
				NAME TOOL - INSERTION			
				CUSTOMER DRAWING			
0-1 Loc M was R		PP	-	Notes			
REV	REVISION RECORD	DR	CNK	DATE			
36	Hall 2/20/68	DR		2/20/68			
	2/2/68	DR		2/2/68			